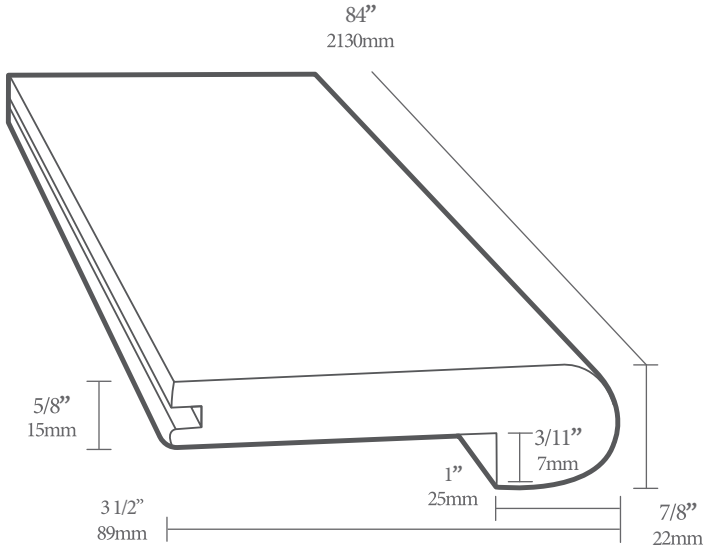


Hardwood Mouldings

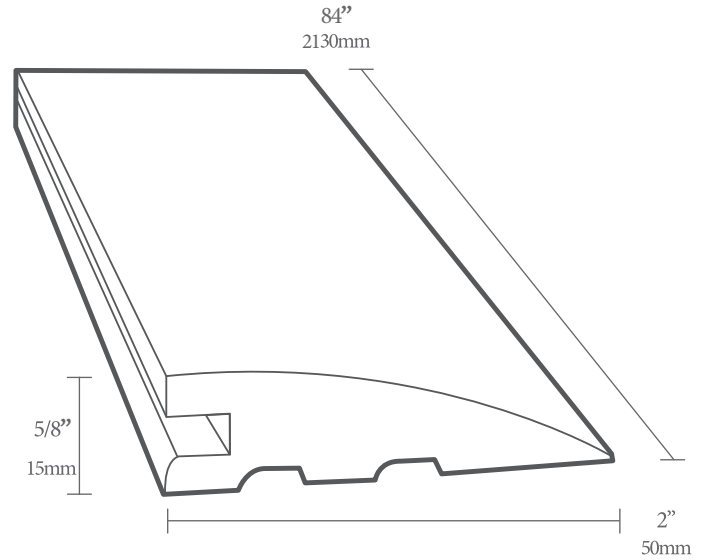
We create custom treads, baseboards and crown mouldings.

All Duchateau® mouldings go through the same color treatments as flooring and will have the same color variations.



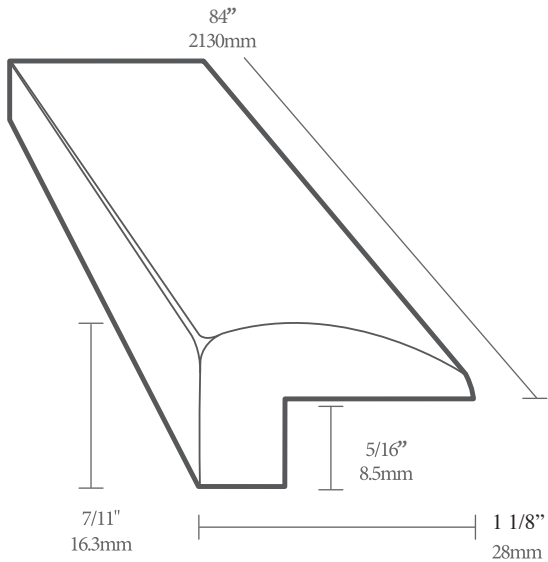
Stairnose

Thickness: 5/8" Width 3 1/2" Length: 84"



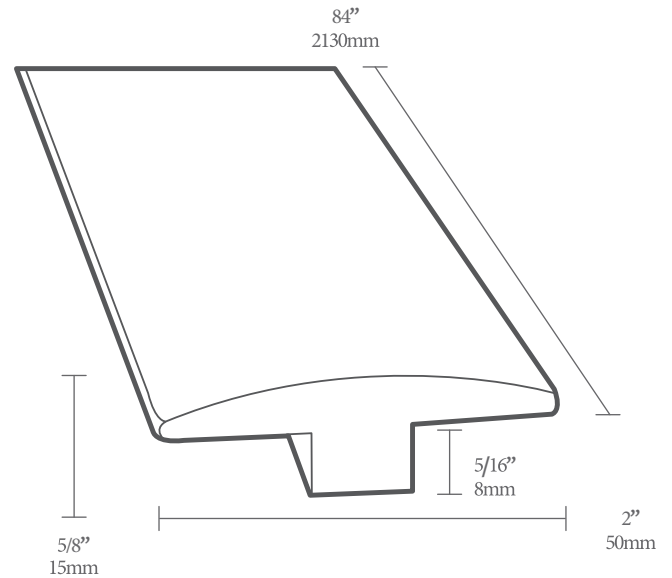
Reducer

Thickness: 5/8" Width 2" Length: 84"



Threshold

Thickness: 7/11" Width 1 1/8" Length: 84"

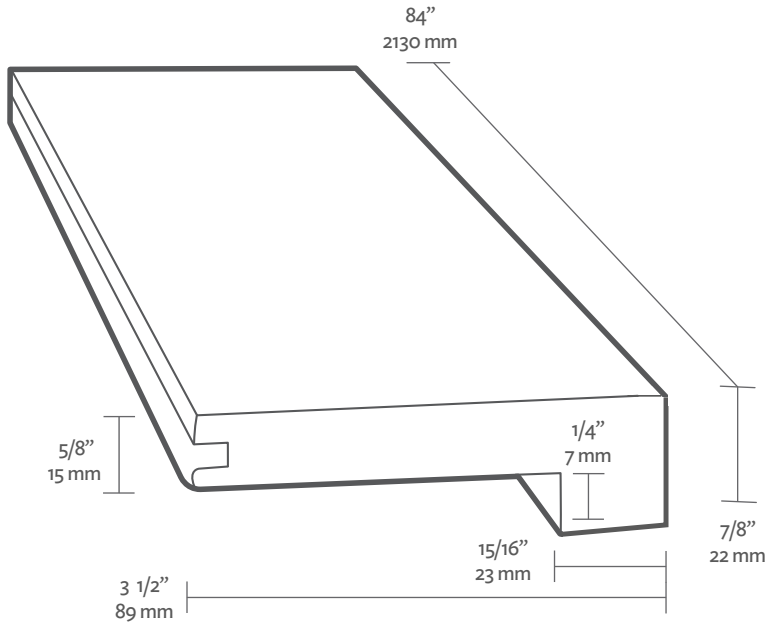


T-Mold

Thickness: 5/8" Width 2" Length: 84"

Hardwood Mouldings

We create custom treads, baseboards and crown mouldings.
All Duchateau® mouldings go through the same color treatments as flooring and will have the same color variations.



Squarenose

Thickness: 5/8" Width: 3 1/2" Length: 84"